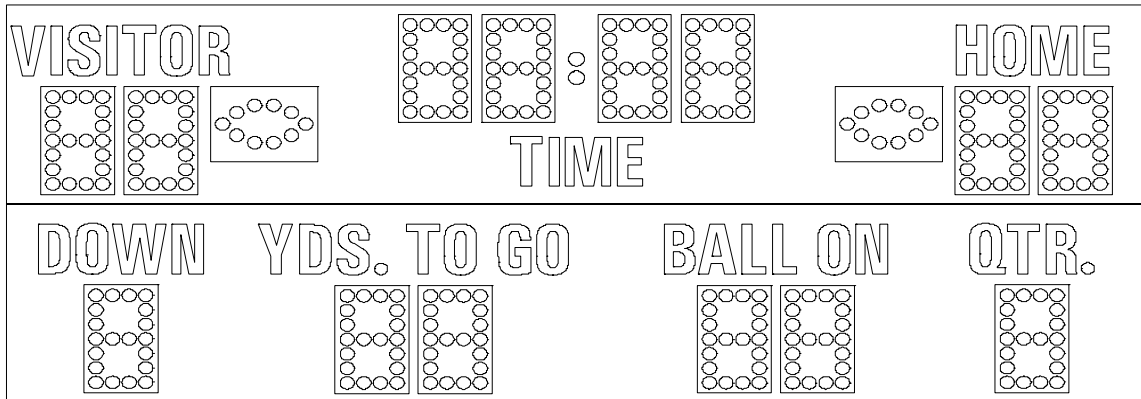

ELECTRO-MECH SCOREBOARD CO.



MP-326 FOOTBALL SCOREBOARD

OWNER'S HANDBOOK

Thank you for choosing an Electro-Mech Scoreboard for your athletic complex. We are confident that your new scoreboard will give many years of reliable service.

TABLE OF CONTENTS

MP-326 FOOTBALL SCOREBOARD SPECIFICATIONS.....	3
SCOREBOARD INSTALLATION.....	4
POSITIONING THE POSTS.....	4
ATTACHING THE OPTIONAL SIDE SPONSOR PANEL.....	7
MOUNTING HARDWARE.....	7
MOUNTING THE OPTIONAL TOP SPONSOR PANEL.....	8
MOUNTING THE SCOREBOARD.....	9
ELECTRICAL CONNECTIONS.....	10
Ground Connection.....	10
Connecting The Scoreboard To Your Power Source.....	10
Installing The Horn.....	13
ScoreLink 300.....	18
Installing The Control Cable.....	18
Connecting The Control Console.....	19
SCOREBOARD OPERATION.....	20
HAND HELD CLOCK CONTROL UNIT OPERATION.....	23
SERVICING THE SCOREBOARD.....	24
PLUG IN MODULE REPLACEMENT.....	26
LAMP REPLACEMENT.....	26
WARRANTY.....	27

MP-326 FOOTBALL SCOREBOARD SPECIFICATIONS

GENERAL: This ETL listed scoreboard includes the scoreboard cabinet, mounting hardware, control console, control cable (sold separately), 10 ft. extension cable, and junction box.

DIMENSIONS: MP-326: 20' L x 8' H x 6" D (two sections which measure 20' L x 4' H x 6" D), optional top sponsor panel: 20' L x 33" H x 6" D, optional side sponsor panel: 8' L x 8' H x 6" D

WEIGHT: MP-326: 545 lbs (The top section weighs 295 lbs, the bottom section weighs 250 lbs), optional top sponsor panel: 135 lbs, optional side sponsor panel: 110 lbs

SCOREBOARD CONSTRUCTION: The scoreboard consists of two aluminum sections. The outer frame is made from extruded aluminum. Internal structural parts may be extruded or formed from aluminum sheet. The face and back are made from aluminum sheet. The face is finished with enamel paint. Black is the standard face color. White is the standard color for the captions. Mounting hardware is included.

DISPLAY: The MP-326 FOOTBALL scoreboard displays HOME and VISITOR scores to 99, TIME to 99 minutes, BALL ON and YDS. TO GO to 99, DOWN and QTR to 4, and Possession indicators.

LAMP BANKS: A 4 x 7 matrix of lamps forms each 24" digit. Each possession indicator is formed in the shape of a football. The scoreboard uses 15 watt 120 VAC frosted medium based appliance lamps (also known as 15A15IF lamps). Recessed aluminum reflectors provide a crisp separation between each lamp. Expanded metal screens protect the lamps.

POWER REQUIREMENTS: Scoreboard - 120 VAC, 37.5 A, 60 Hz, 4500 watts maximum, (50 A service recommended). The scoreboard may be connected to either 120 VAC or 240 VAC single phase. **Control Console** - 120 VAC, 0.5 A, 60 Hz

SCOREBOARD ELECTRONICS: 100% solid state fully enclosed within 3 plug in modules.

CONTROL CONSOLE: The microprocessor control console is constructed of a rugged plastic housing with a metal back plate. It features a 37 key sealed membrane keypad, a LCD display of game information, an attached 6 foot power cord, and a lithium cell battery backup to retain game information.

CONTROL CABLE: The cable has two 22 AWG stranded copper conductors with semi-rigid PVC insulation. It also has a braided shield and a foil shield. The polyethylene jacket is rated at 300 volts. The cable is direct burial rated and measures approximately ¼" in diameter. One length is required to run from the scoreboard to the point of operation (conduit installation recommended).

JUNCTION BOX AND EXTENSION CABLE: A 4 ¼" x 2 ¼" x 2" junction box with a stereo jack mounted on the face is attached to the control cable at the point of operation. A ten foot extension cable connects the control console to the junction box.

WARRANTY: Five year limited warranty.

SCOREBOARD INSTALLATION

Installation of the MP-326 Scoreboard consists of positioning the posts, mounting the scoreboard cabinet on the posts, and making the proper electrical connections.

Items not provided by Electro-Mech Scoreboard Company which are necessary for installation:

- Two posts
- Power cable to connect the scoreboard to your power source
- Grounding hardware
- A grounded NEMA 5-15R 120 VAC receptacle for the control console.

Items not provided which are recommended by Electro-Mech Scoreboard Company for installation:

- A weatherproof power disconnect at the scoreboard
- A weatherproof NEMA 5-15R 120 VAC convenience receptacle at the scoreboard

While Electro-Mech Scoreboard Company does not perform installations, we will make every effort to answer your installation questions. Installation should be performed by qualified personnel. Consult national and local codes before installation.

POSITIONING THE POSTS

The scoreboard is designed to be mounted on two posts. We suggest that the front of the scoreboard should be angled away from the afternoon sun, if possible. Typically installers will use steel pipes or I-beams. The mounting hardware will accommodate posts up to 7 inches outer diameter. We recommend that the posts are sunk in reinforced concrete footings. Figure 1 shows the spacing of the posts for a MP-326. It suggests one possible installation for a MP-326 in silty sand soil. **No dimensional data in this manual is intended to be specifications except the size of the scoreboard cabinet and the distance between the posts.** The specifications for the posts and concrete footings are dependent upon the expected local wind and soil conditions, the height of the scoreboard from the ground, and the local building codes. Electro-Mech Scoreboard Company assumes no responsibility for the installation of scoreboards by others.

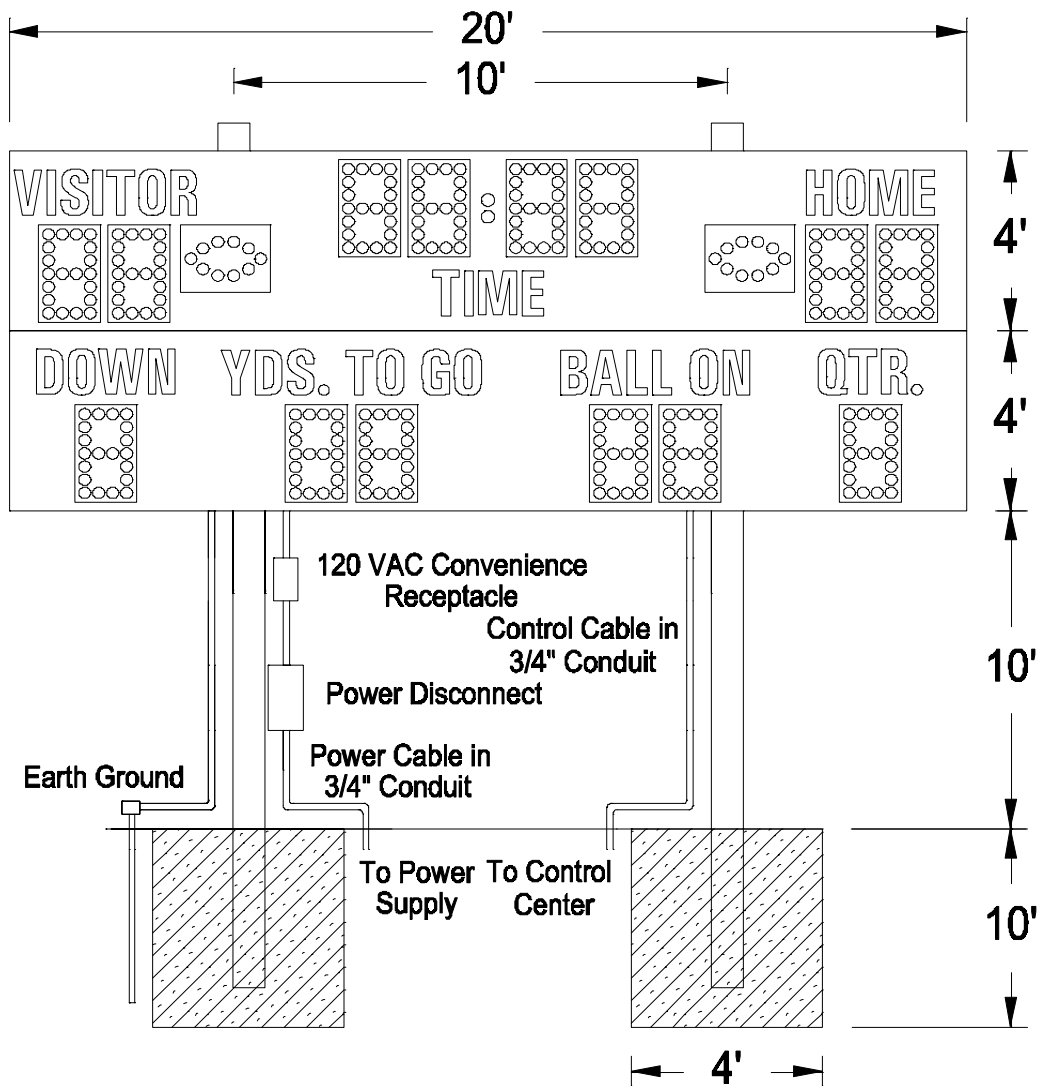


Figure 1 MP-326 Post Spacing

Figure 2 shows the spacing of the posts for a MP-326 with an optional top sponsor panel.

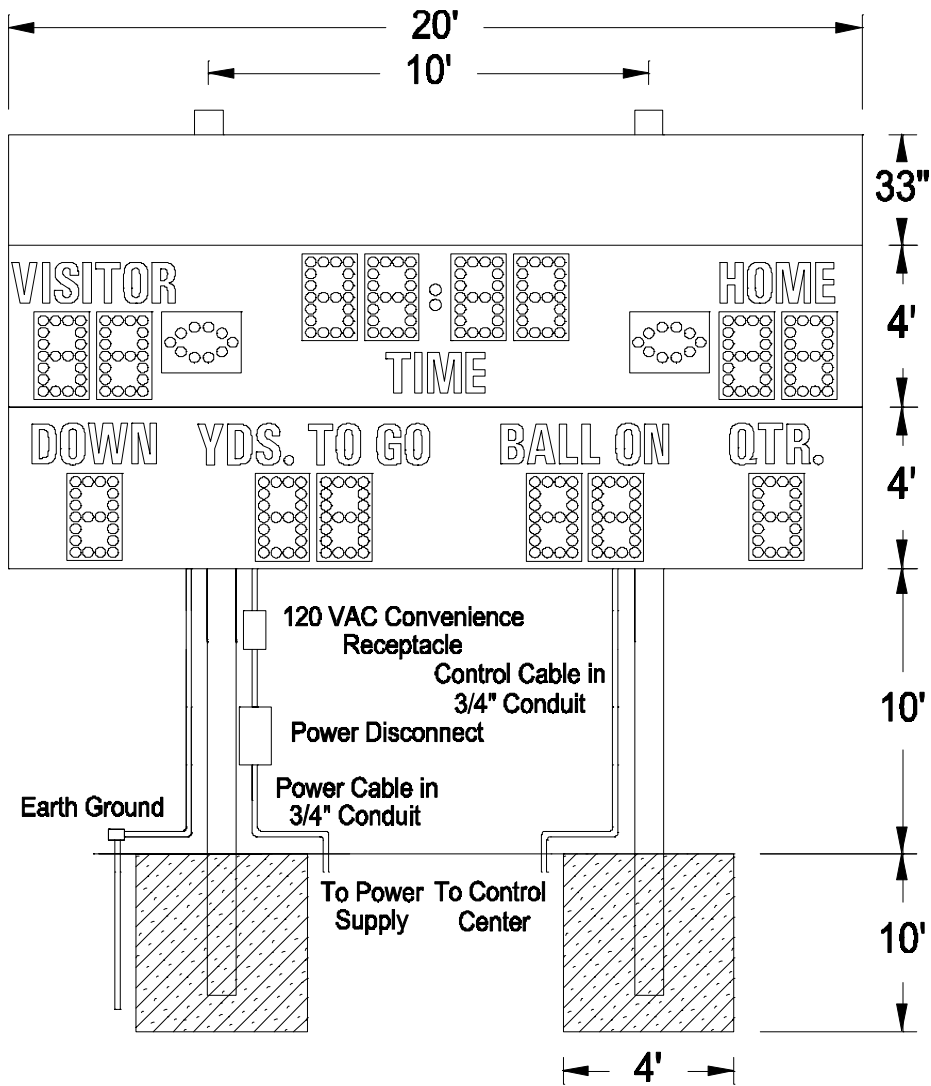


Figure 2 MP-326 with Optional Top Sponsor Panel Post Spacing

Three posts are needed for a MP-326 with side sponsor panel. Figure 3 shows the spacing of the posts for a MP-326 with side sponsor panel.

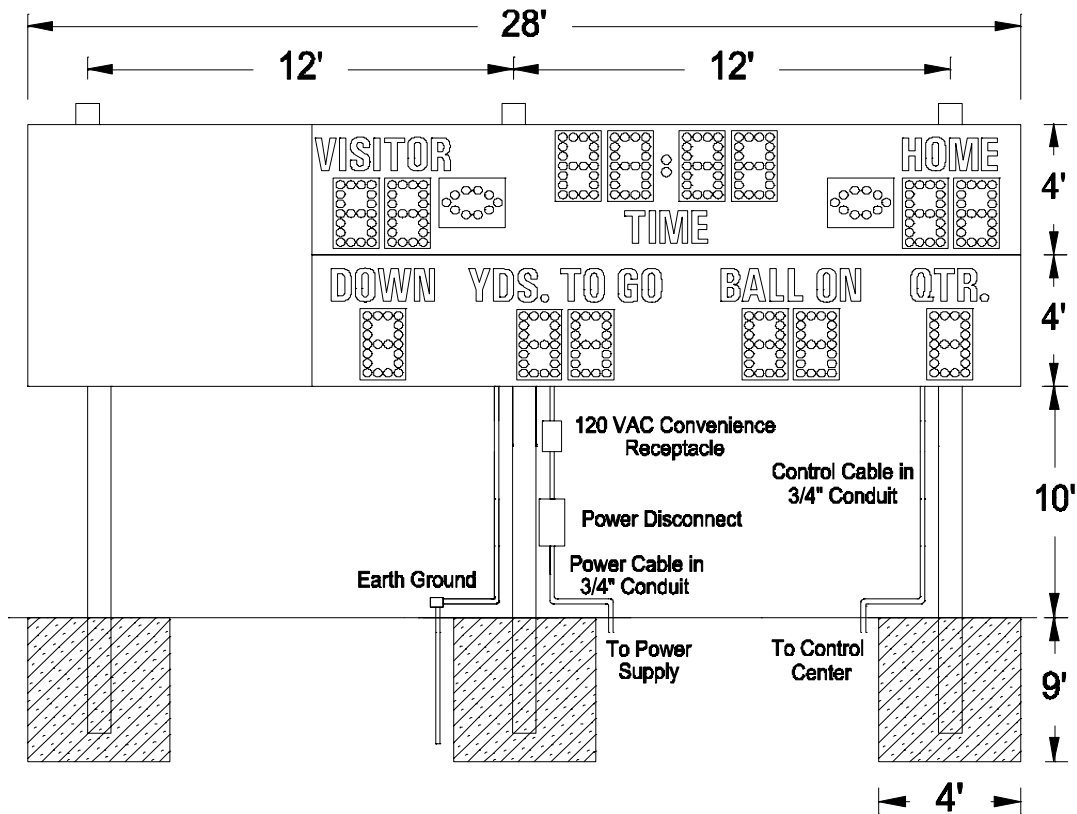


Figure 3 MP-326 with Side Sponsor Panel Post Spacing

ATTACHING THE OPTIONAL SIDE SPONSOR PANEL

There are several small access panels on the rear of the scoreboard and sponsor panel. Remove these access panels and use the provided hardware to bolt the sponsor panel to the scoreboard. Be sure to re-install these access panels when you are finished.

MOUNTING HARDWARE

Eight sets of mounting hardware are provided to attach the scoreboard to the posts. Additional hardware sets are provided to attach the optional sponsor panels, if ordered. A mounting hardware set consists of a steel angle bracket, two threaded rods, two washers, and two nuts. Figure 4 shows an overhead cross section view and a side cross section view of the scoreboard attached to a post at a mounting point using the hardware. A steel bracket is riveted to the scoreboard's aluminum extrusion frame. The bracket has two tapped holes. The threaded rods screw into these tapped holes. The washers and nuts are used to clamp the steel angle bracket against the steel post and hold the scoreboard in place.

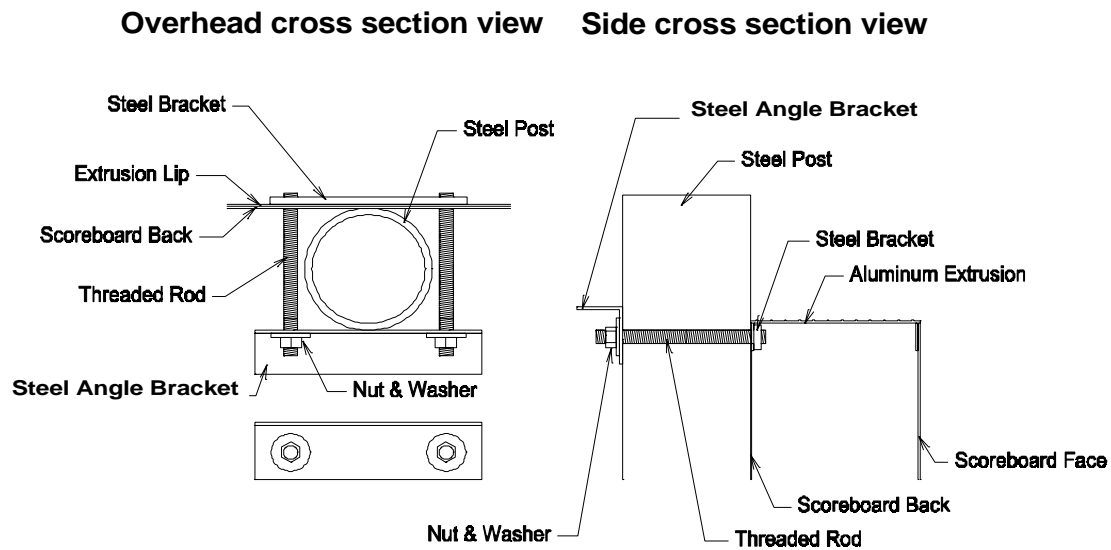


Figure 4 Standard Mounting Method

MOUNTING THE OPTIONAL TOP SPONSOR PANEL

The following steps describe how to mount the top sponsor panel on the posts:

1. Place the top sponsor panel against the posts on the ground. Make sure the mounting points are aligned with the posts.
2. Screw the threaded rods into the tapped holes in the top sponsor panel.
3. Place a steel angle bracket over the threaded rods at a mounting point.
4. Place a washer over each threaded rod.
5. Screw the nuts onto the threaded rods so that the bracket is **loosely** held in place.
6. Repeat steps 4 -6 at the other mounting points.
7. Raise the top sponsor panel into place and tighten the nuts to clamp it in place on the posts.

MOUNTING THE SCOREBOARD

Each section of the scoreboard is attached to the posts at four points. Figure 5 shows the location of the mounting points on the rear of the scoreboard.

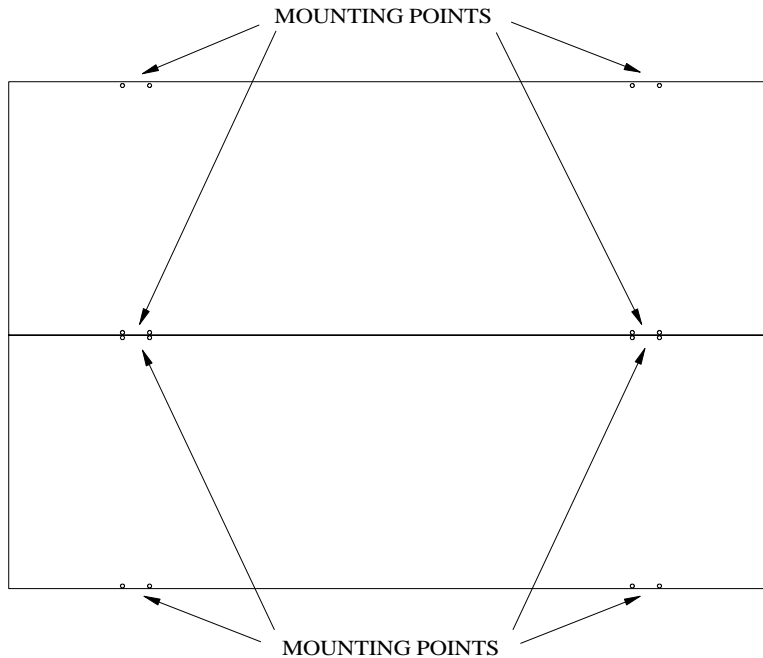


Figure 5 Mounting Points

The following steps describe how to mount the scoreboard on the posts:

1. Place the upper section of the scoreboard against the posts on the ground. Make sure the mounting points are aligned with the posts.
2. Screw the threaded rods into the tapped holes in the scoreboard.
3. Place a steel angle bracket over the threaded rods at a mounting point.
4. Place a washer over each threaded rod.
5. Screw the nuts onto the threaded rods so that the bracket is **loosely** held in place.
6. Repeat steps 4 -6 at the other mounting points.
7. Raise the section into place and tighten the nuts to clamp it in place on the posts.
8. Place the lower section of the scoreboard against the posts on the ground. Make sure the mounting points are aligned with the posts.
9. Attach the mounting hardware by the same method as the upper section.
10. Raise the lower section to a few inches below the top section.
11. There is a cable with a 15 pin plug which is accessible through an opening in the top of the lower section frame. Plug this cable into the 15 pin socket which is accessible through an opening in the bottom of the top section frame.
12. Raise the lower section to the bottom of the upper section and tighten the nuts to clamp it in place on the posts.

ELECTRICAL CONNECTIONS

We recommend a qualified electrician perform the needed electrical connections to ensure proper operation of your scoreboard. These connections include grounding the scoreboard, connecting the scoreboard to a power source, installing the horn, installing the control cable, and connecting the control console.

Ground Connection

The National Electrical Code **requires** a scoreboard (electric sign) to be grounded. Grounding the scoreboard helps the scoreboard electronics operate properly and helps minimize damage if it is struck by lightning. Metal posts do **not** provide an adequate ground path when they are placed in concrete. One method of grounding is to connect both sections of the scoreboard to one or more grounding rods which are driven into the ground near the scoreboard via a large gauge copper wire. The self tapping sheet metal screws on the back of the scoreboard cabinet provide a convenient connection point.

Connecting The Scoreboard To Your Power Source

The scoreboard may be connected to 240 VAC single phase or 120 VAC service at the scoreboard. **Maximum power consumption of Model MP-326: 4500 Watts.** Make sure that the power cables are rated for this electrical load. Electro-Mech Scoreboard Company recommends that your power cable is installed in conduit. **Avoid** running your power cables in close proximity to your control cable. The following steps describe how to connect the scoreboard to your power source:

1. Remove the hex head screws which hold the upper section rear access panel in place (Figure 6).

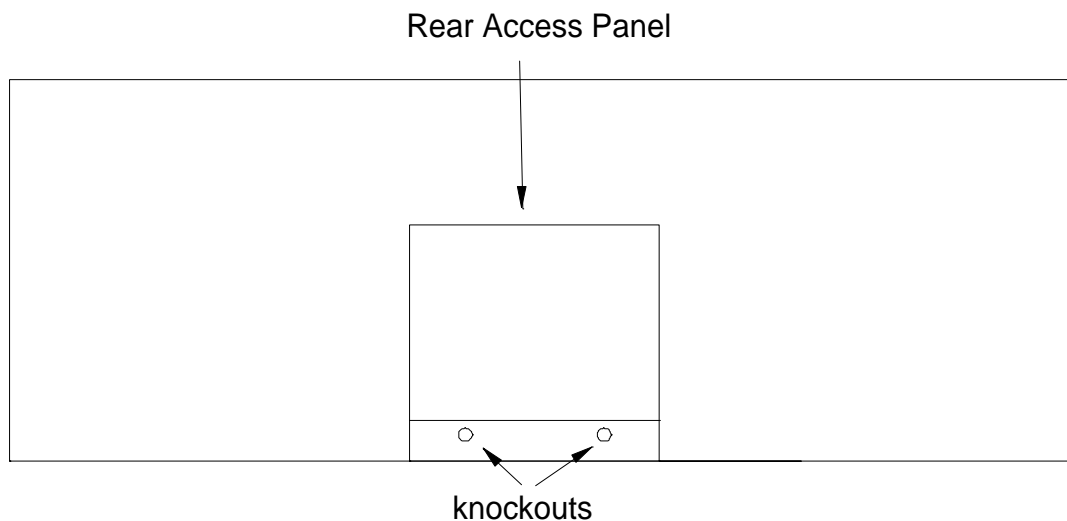


Figure 6 Upper Section Rear Access Panel

Figure 7 shows the view behind the access panel.

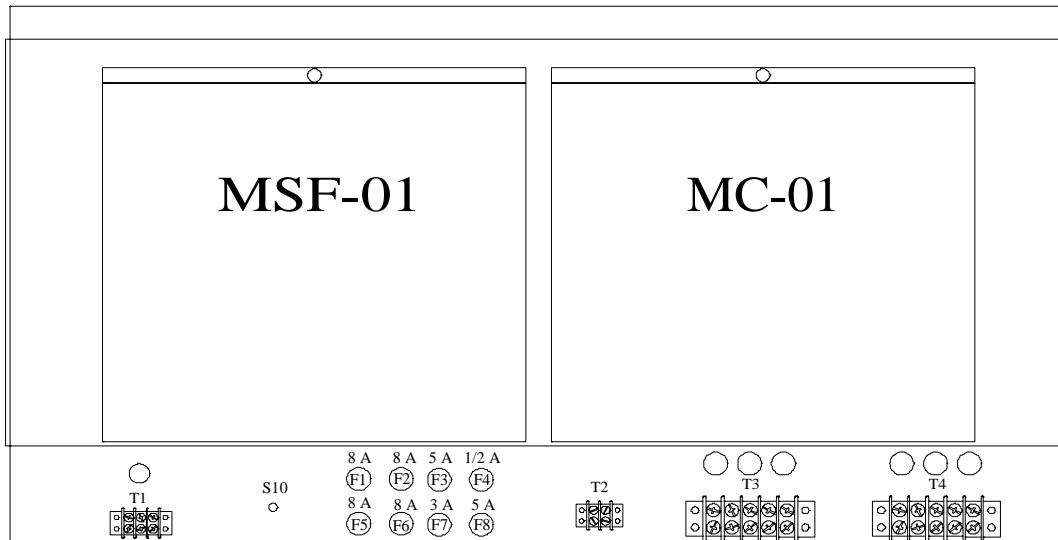


Figure 7 Upper Access Panel Removed

2. Punch out the knockouts for the power and control cables.
3. Feed the power cables through a knockout.
4. If you are going to connect the scoreboard to a 240 VAC supply, connect one AC line wire to position 2, AC neutral wire to position 3, and the other AC line wire to position 4 of terminal strip T4 on the junction chassis according to figure 8.

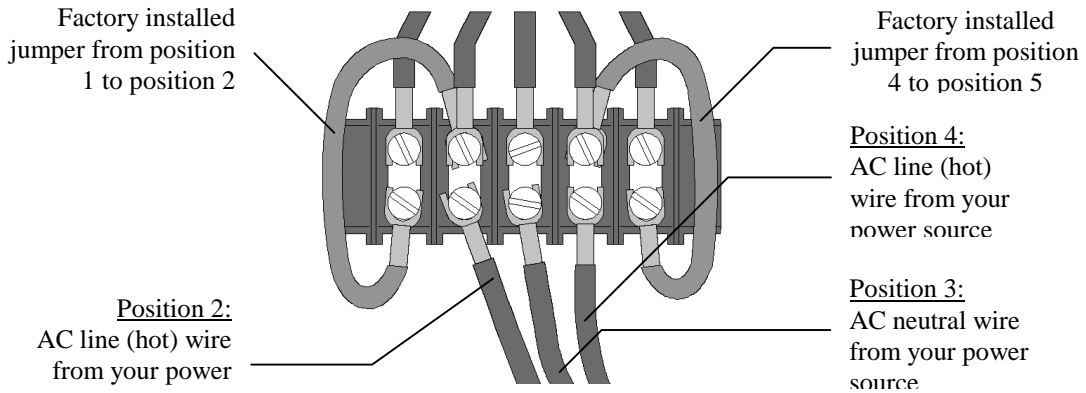


Figure 8 240 VAC Connections

5. If you are going to connect the scoreboard to a 120 VAC supply, connect the AC line wire to position 2 and the AC neutral wire to position 3 of terminal strip T3 on the junction chassis. Add a jumper from position 2 to position 4. **This jumper is not provided.** Refer to figure 9.

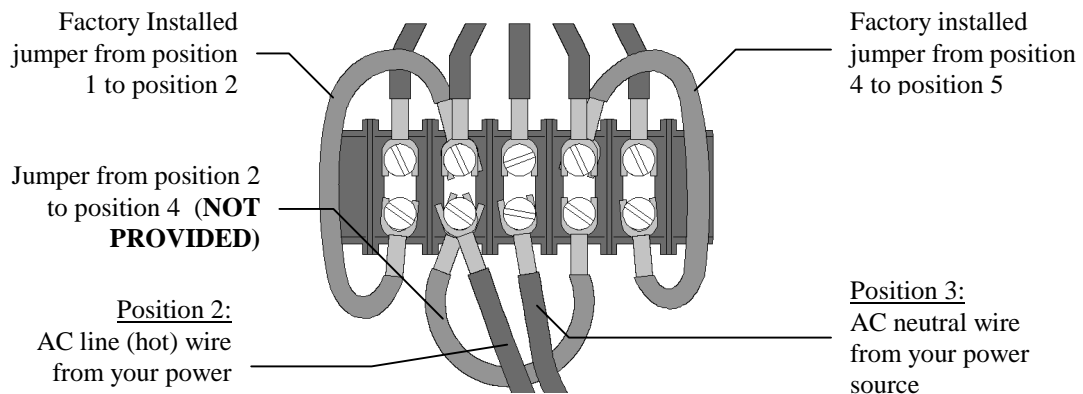


Figure 9 120 VAC Connections

Electro-Mech Scoreboard Company suggests that you install a power cut-off switch and a NEMA 5-15R receptacle in a weatherproof box on the scoreboard post below the scoreboard. The cut-off switch provides a convenient way of turning the scoreboard off during maintenance or repairs. The NEMA 5-15R receptacle will allow a technician to easily plug in the control console and operate the scoreboard via the test jack S-10 (a valuable trouble-shooting aid).

Installing The Horn

The items provided to install the horn are the horn, the weatherproof back box, the mounting bolt, and the mounting bracket. Items which are not provided but are necessary for proper installation are $\frac{3}{4}$ " flexible conduit, a $\frac{3}{4}$ " right angle male conduit connector, a $\frac{3}{4}$ " straight male conduit connector, two wires, and four forked crimp terminals. The electrical requirements for the horn are 0.35 A 120 VAC. The horn is normally mounted to the top of the MP-326. The horn may be mounted on the side if the scoreboard has a top sponsor panel. A tapped hole is provided to fasten the horn to the scoreboard. The mounting bolt is screwed into the tapped hole at the factory. The following steps describe the assembly and mounting of the horn:

1. Cut a piece of $\frac{3}{4}$ " conduit of sufficient length to reach from the horn mounting point to one of the knockouts below the upper access panel.
2. Attach the $\frac{3}{4}$ " right angle male conduit connector to one end of the conduit and the $\frac{3}{4}$ " straight male conduit connector to the other end.
3. Cut two pieces of wire of approximately 4 feet longer than the conduit.
4. Push the wires through the conduit.
5. Push the end of the conduit with the right angle male conduit connector through the 2" diameter hole in mounting bracket as seen in figure 10.

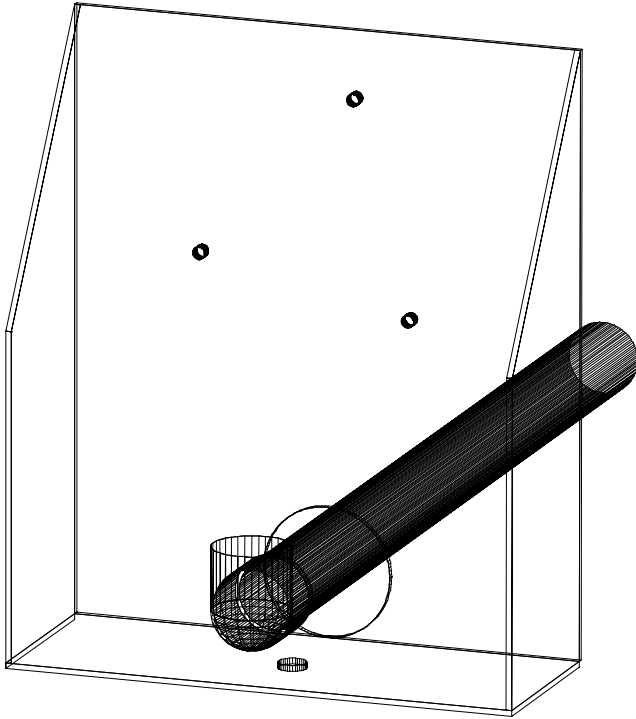


Figure 10 Horn Mounting Bracket

6. The weatherproof back box has two threaded conduit holes. Screw the provided conduit plug into the hole near the word “TOP” inside the weatherproof back box (figure 11).

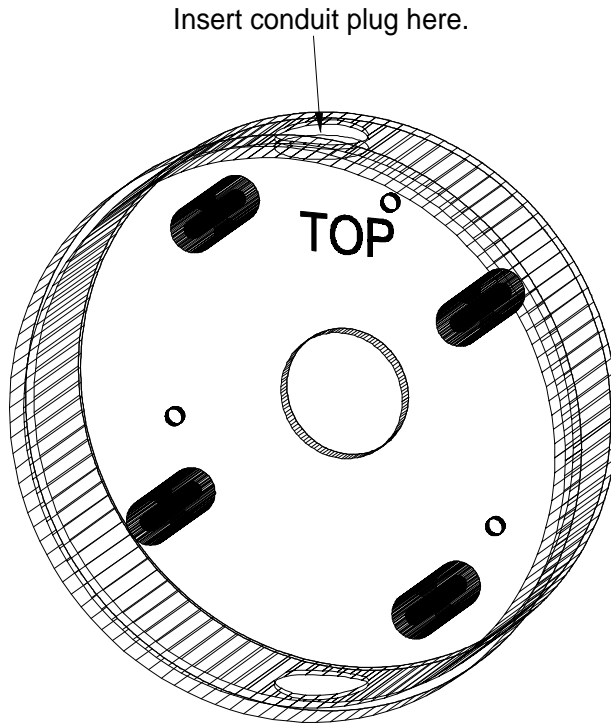


Figure 11 Horn Back Box

7. Feed the wires through the other back box conduit hole and screw the right angle conduit connector to the back box.
8. Attach the weatherproof back box to the mounting bracket using the provided 6-32 x 5/8" screws and 6-32 gold nuts as shown in figure 12.

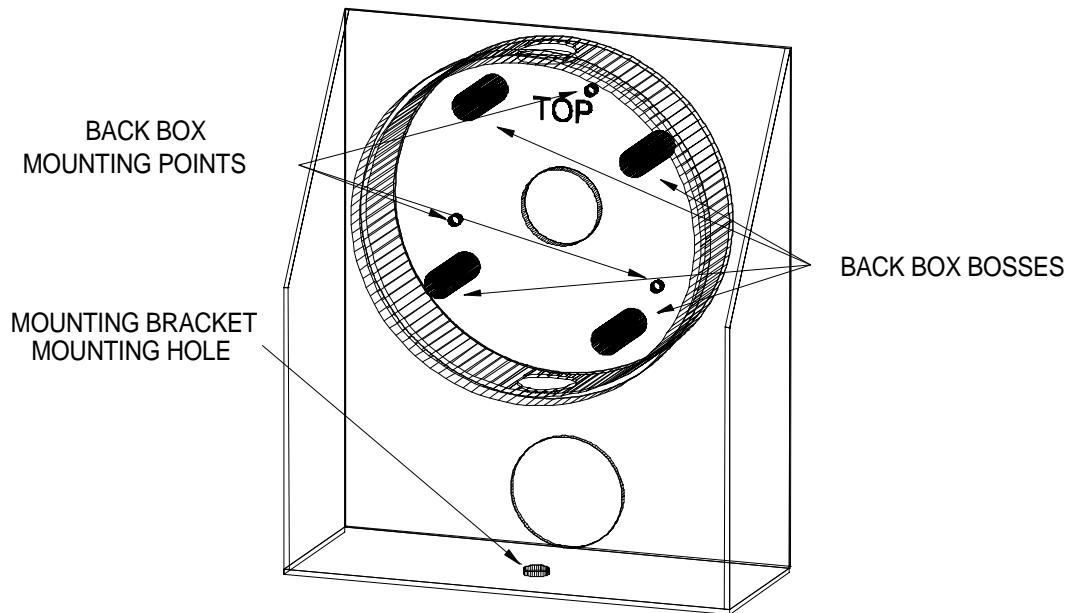


Figure 12 Back Box Mounting Points

9. Remove the horn signal mounting plate from the horn base by loosening the phillips head screw on the base.
10. The word "TOP" is stamped on the front side of the horn signal mounting plate. Pass the two wires that are inside the back box through the horn signal mounting plate center hole from the back side.
11. Align the holes in the horn signal mounting plate with the mounting screw holes in the back box bosses. The word "TOP" on the horn signal mounting plate and the back box should be oriented in the same direction and the screw hole on the bottom edge of the horn signal mounting plate should be directly over the gap in the back box gasket as seen in figure 13.

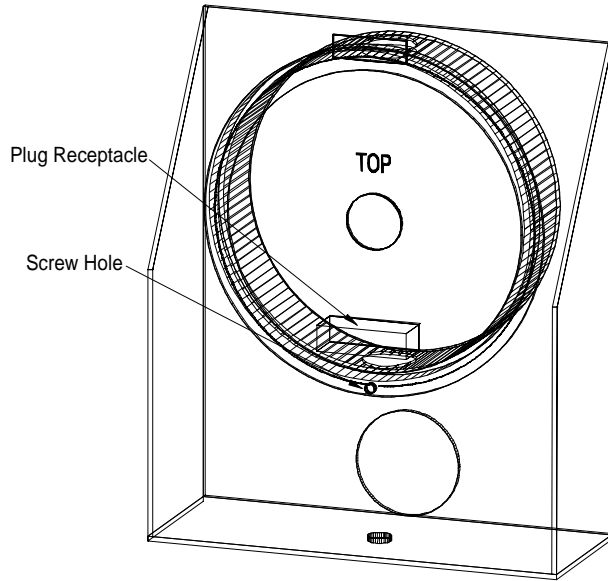


Figure 13 Mounting Bracket with Back Box and Signal Mounting Plate Attached

12. Fasten the horn signal mounting plate with the four 8-32 x 7/16" machine screws that are provided with the back box.
13. Crimp forked terminals on the ends of the two wires and attach them to the plug receptacle.
14. Slide the slot on the side of the horn base over the tab on the horn signal mounting plate and tighten the phillips head screw on the other side of the horn base.
15. Fasten the horn assembly to the scoreboard using the mounting bolt from the scoreboard.
16. Crimp forked terminals on the ends of the two wires that protrude out of the other end of the conduit.
17. Pass the wires through one of the knockouts below the upper access panel.
18. Fasten the conduit connector to the knockout panel and connect the wires to T-2.

ScoreLink 300

The SCORELINK 300 RF MODEM SET is intended to eliminate the control cable between the scoreboard and the control console on Electro-Mech Scoreboard MM and MP series scoreboards. If you have purchased this option, disregard the next section of this manual. Refer to the SCORELINK 300 RF MODEM SET OWNER'S HANDBOOK for installation instructions.

Installing The Control Cable

The control cable connects the scoreboard to the control console. While the control cable is direct burial rated, Electro-Mech Scoreboard Company recommends that it is installed in conduit to protect it from being cut. A small junction box with a stereo jack mounted on the face plate is attached to the control cable at the point of operation of the scoreboard. This junction box should be securely mounted in a clean, dry area within ten feet of the rear of the control console. Most customers order the control cable with the junction box attached. Some customers prefer to attach the junction box after the cable is installed. Those customers must match their stereo jack to one of the stereo jacks in figure 14 in order to make the proper connections. These connections should be soldered.

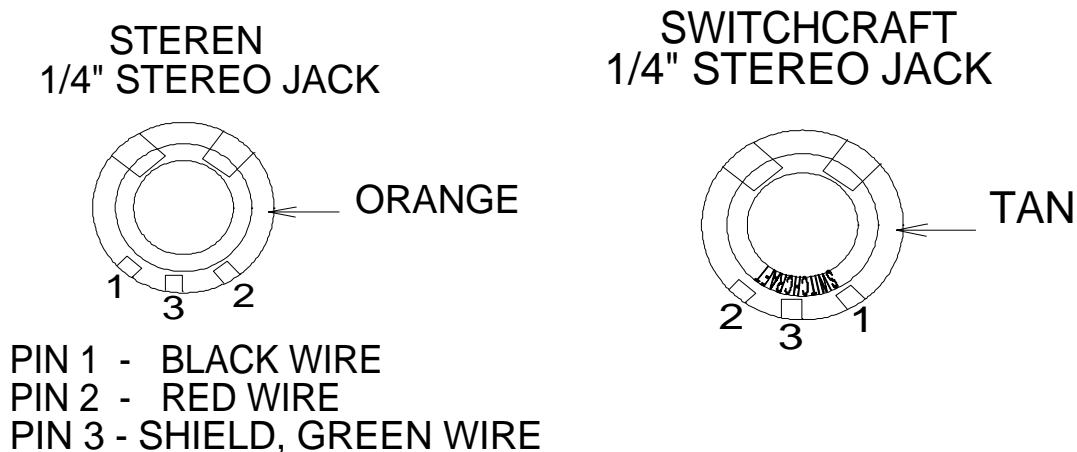


Figure 14 STEREO JACK WIRING DIAGRAM

The following steps describe how to connect the control cable to the scoreboard:

1. At the rear of the scoreboard feed the control cable through one of the knockouts below the upper access panel.
2. Crimp fork terminals to the control cable wires and the shield.
3. Connect the control cable to terminal strip T1 (located to the left of the test jack S10) according to the diagram in figure 15.

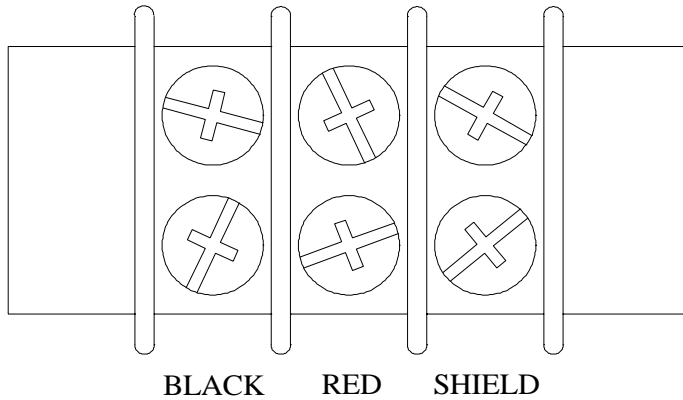


Figure 15 T1 WIRING DIAGRAM

Connecting The Control Console

The control console is normally connected to the junction box via the 10 ft. extension cable. This extra length of cable allows the scoreboard operator some mobility and the ability to store the control console after the game. The extension cable has two molded stereo plugs attached to it. One end of the extension cable is plugged into the junction box stereo jack and the other end is plugged into the stereo jack mounted on the control console back plate. The control console power cord is plugged into a grounded NEMA 5-15R 120 VAC receptacle.

SCOREBOARD OPERATION

The MP-326 Scoreboard is operated by the control console. **No scoreboard functions will operate without connecting the control console.** Figure 16 shows the keypad layout on your control console. The keypad functions are described in the text below the figure.

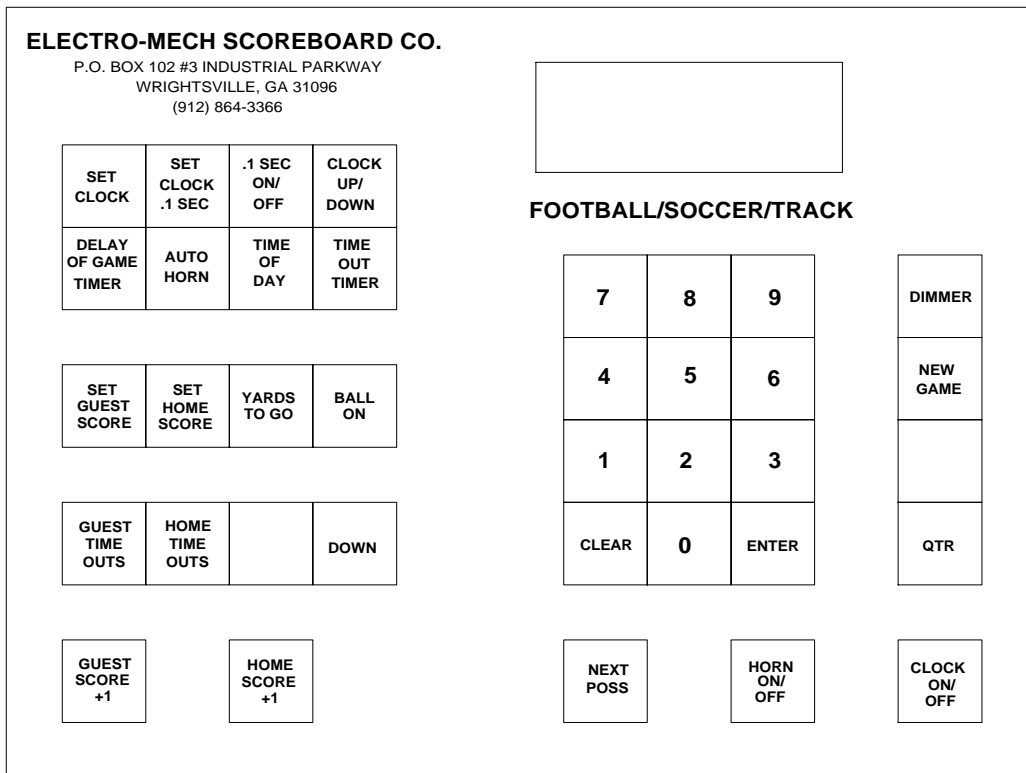


Figure 16 Keypad Layout

Control Console Key Functions

1. **SET CLOCK** – This key sets the time displayed on the scoreboard clock. Press [SET CLOCK], the keypad numbers for the time, [ENTER]. Example: Press [SET CLOCK], [6], [0], [0], [0], [ENTER] on the control console. 60:00 will be displayed on the clock section of the scoreboard.

2. **SET CLOCK .1 SEC** – This key is used when the clock is in the 1/10th second mode. Press [SET CLOCK .1 SEC], the keypad numbers for the time, [ENTER]. Example: Press [SET CLOCK .1 SEC], [5], [3], [8], [ENTER] on the control console. 53.8 will be displayed on the clock section of the scoreboard.
3. **.1 SEC ON OFF** – This key is used to enable or disable the 1/10th second mode on the scoreboard. This mode is enabled when the control console is turned on. If it is disabled, the LCD display on the control console will still show 1/10th second timing, but the scoreboard will not display it. To turn this function off, press [.1 SEC ON/OFF]. The console LCD display will read:

CLOCK ON - 1
.1 SEC OFF - 0

Press [0], [ENTER] on the control console.

4. **CLOCK UP / DOWN** – The clock can be set up to either count up or count down. The control console will reset to the clock down mode when it is turned on. To make the clock count up, press [CLOCK UP / DOWN]. The console LCD display will read:

GAME UP - 1
CLOCK DOWN - 0

Press [0], [ENTER] on the control console. To reset the clock to count down mode, press [CLOCK UP / DOWN], [1], [ENTER] on the control console.

5. **DELAY OF GAME TIMER** – The delay of game timer should be set prior to the start of a game. The game timer default time is 30 seconds. To change this time, press [DELAY OF GAME TIMER]. The console LCD display will read:

DELAY TIME1	<30>
-------------	------

Press the keypad numbers for the time, [ENTER]. The LCD display will then read:

DELAY TIME2 <05>

This will allow you to change the second reset time. To change this time, press the keypad numbers for the time, [ENTER].

6. **AUTO HORN** – This key allows the operator to control the end of period horn and / or the time out horn. The horn normally sounds for two seconds when the clock reaches 0:00. The end of period horn can be disabled by pressing [AUTO HORN]. The console LCD display will read:

GAME PRESS <1> ON
HORN PRESS <0> OFF

Press [0], [ENTER] to disable the horn. The console LCD display will then read:

T-O PRESS <1> ON
HORN PRESS <0> OFF

The time out horn is normally disabled. To enable the horn to sound at the end of the time out, press [1], [ENTER] on the control console.

7. **TIME OF DAY** – The time of day can be displayed on the clock section of the scoreboard. **THE GAME CLOCK WILL BE INOPERABLE UNTIL THE TIME OF DAY FUNCTION IS TURNED OFF.** To turn the time of day clock on, press [TIME OF DAY]. The console LCD display will read:

TIME OF	ON <1>
DAY CLOCK	OFF <0>

Press [1], [ENTER] on the control console. The console LCD display will then read:

SET CLK <__:__>

Press the keypad numbers for the time, [ENTER]. The scoreboard will display the time of day.

8. **TIME OUT TIMER** – To set the Time Out timer, press [TIME OUT TIMER]. The console LCD display will read:

SET T-O <__:__>

Press the keypad numbers for the time, [ENTER]. The scoreboard will not display the Time Out time.

9. **SET GUEST SCORE** – To set the guest score, press [SET GUEST SCORE], the keypad numbers for the time, [ENTER]. **EXAMPLE:** To set the guest score to 53, press [SET GUEST SCORE], [5], [3], [ENTER].
10. **SET HOME SCORE** – To set the home score, press [SET HOME SCORE], the keypad numbers for the time, [ENTER]. **EXAMPLE:** To set the home score to 75, press [SET HOME SCORE], [7], [5], [ENTER].

11. **YARDS TO GO** – To set the yards to go, press [YARDS TO GO], the keypad numbers for the yards, [ENTER]. EXAMPLE: To set the yards to go to 10, press [YARDS TO GO], [1], [0], [ENTER].
12. **BALL ON** – To display the position that the ball is located on the field, press [BALL ON], the keypad numbers for the yards, [ENTER]. EXAMPLE: To display that the ball is on the 35 yard line, press [BALL ON], [3], [5], [ENTER].
13. **DOWN** – This key increments the DOWN by 1. If this key is pressed when DOWN displays 4, it will change to 0.
14. **GUEST SCORE +1** – This key increments the Guest score by 1.
15. **HOME SCORE +1** – This key increments the Home score by 1.
16. **NEXT POSS** – This key toggles the possession indicators between Guest and Home.
17. **HORN ON/OFF** – This key is used to sound the horn for ½ second.
18. **CLOCK ON/OFF** – This key is used to start and stop the clock.
19. **QTR** – This key increments the quarter indicator.
20. **NEW GAME** – This key is used to reset all the scoreboard functions to their default settings. To reset the scoreboard, press [NEW GAME]. The console LCD display will read:

RESET	YES <1>
SCOREBOARD	NO <0>

Press [1], [ENTER] on the control console. The scoreboard will reset its functions.

21. **DIMMER** – This key will dim all the scoreboard lamps.

The GUEST TIME OUTS and HOME TIME OUTS keys are not used with the MP-326 scoreboard.

HAND HELD CLOCK CONTROL UNIT OPERATION

The hand held clock control unit has an attached cable which is plugged into a jack on the control console back plate labeled **Clock Hand held**. It has one button which is used to toggle the clock on and off.

You should reset the scoreboard each time that it is turned on. Test out all the functions to ensure that the scoreboard is operating properly. **Electro-Mech Scoreboard Company strongly advises that you unplug the control console, disconnect the extension cable at the control console, and turn the power to the scoreboard off when the scoreboard is not in use. The control console can not turn the scoreboard off.** This action will help protect the scoreboard and control console from power surges and lightning strikes.

SERVICING THE SCOREBOARD

While your scoreboard was designed for years of trouble-free operation, some problems may occasionally occur. Our trained personnel at Electro-Mech Scoreboard Company are ready to answer your questions from Monday to Friday during the hours of 8 AM to 5 PM Eastern Standard Time. Be sure to know your scoreboard model number when calling. Scoreboard replacement parts, including lamps, are always available. Electro-Mech Scoreboard Company can repair the control console and plug in modules at a significant savings when compared to the price of new units. Our convenient toll free number is listed at the bottom of every page in this manual.

Figure 17 shows the components behind the upper access panel.

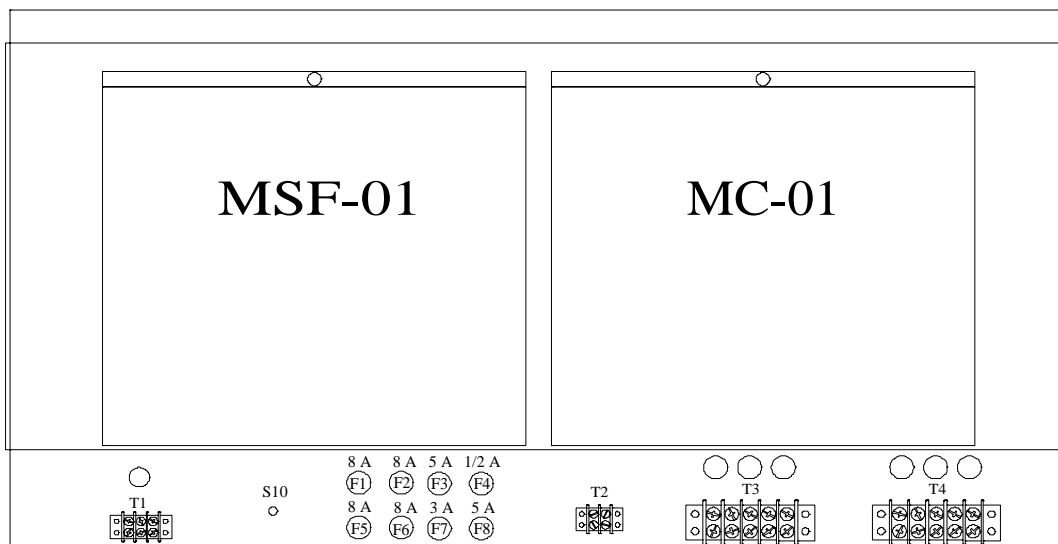


Figure 17 Upper Access Panel Components

The plug in module MSF-01 operates VISITOR SCORE, HOME SCORE, GUEST POSSESSION, and HOME POSSESSION. The plug in module MC-01 operates the TIME, QTR., and horn.

FUSES

FUSE	RATING	FUNCTION
F1	8 A 250 V	GUEST SCORE
F2	8 A 250 V	HOME SCORE
F3	5 A 250 V	POSSESSION
F4	1/2 A 250 V	CONTROL LINE
F5	8 A 250 V	MINUTES
F6	8 A 250 V	SECONDS
F7	3 A 250 V	HORN
F8	5 A 250 V	QUARTER

CONNECTION POINTS

TERMINAL STRIP	FUNCTION
T-1	control cable connection
T-2	power cable to horn
T-3	MOV (surge protection)
T-4	power cable connection
S-10	test jack

Figure 18 shows the components behind the lower access panel.

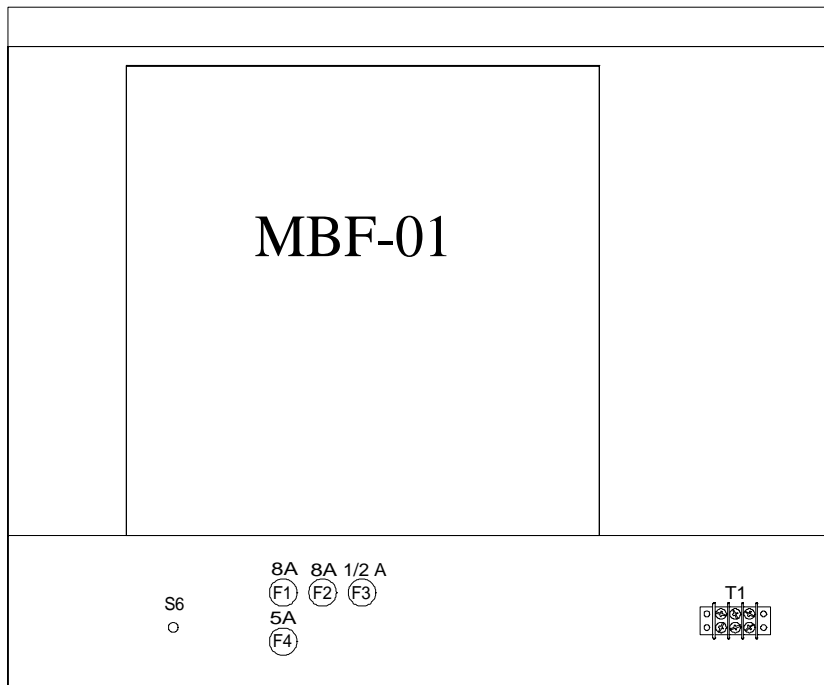


Figure 18 Lower Access Panel Components

The plug in module MBF-01 operates DOWN, BALL ON and YDS. TO GO. T-1 is not normally used. It can be used to help troubleshoot a scoreboard which has no power to the lower section.

FUSES

FUSE	RATING	FUNCTION
F1	8 A 250 V	BALL ON
F2	8 A 250 V	YDS. TO GO
F3	1/2 A 250 V	CONTROL LINE
F4	5 A 250 V	DOWN

CONNECTION POINTS

TERMINAL STRIP	FUNCTION
T-1	test power connection
S-6	test jack

PLUG IN MODULE REPLACEMENT

Each module has four bottom plugs which mate with sockets in the scoreboard. A screw located at the top of the module holds it against the scoreboard cabinet. Simply remove the screw and pull the module upward to unseat the module. **To avoid damage to the plug in module, always turn off the power to the scoreboard when removing or replacing it.**

LAMP REPLACEMENT

Replacing lamps may be the only service you ever perform on your Electro-Mech scoreboard. The lamps are accessed by removing the protective mask covering each lamp bank. **To avoid damage to the plug in module, always turn off the power to the scoreboard when changing lamps.** We recommend using a felt pen or tape to mark lamps that will not light. This scoreboard uses 15 watt medium base lamps (also called 15A15 lamps). **Never replace these with higher wattage lamps.**

ELECTRO-MECH SCOREBOARD CO. FIVE YEAR LIMITED WARRANTY

THE ELECTRICAL COMPONENTS OF ALL ELECTRO-MECH SCOREBOARDS ARE GUARANTEED FOR A PERIOD OF FIVE (5) YEARS FROM THE DATE OF INVOICE AGAINST DEFECTS IN WORKMANSHIP OR MATERIAL AND WILL BE REPLACED OR REPAIRED WITHOUT COST TO THE OWNER PROVIDED THE EQUIPMENT OR PARTS ARE RETURNED POSTAGE-PAID TO THE FACTORY IN WRIGHTSVILLE, GA. SHIPPING BACK TO THE OWNER WILL BE VIA UPS GROUND SERVICE EXCEPT WHEN AIR OR SPECIAL METHOD OF RETURN IS SPECIFIED BY THE OWNER, IN WHICH CASE SHIPPING WILL BE FREIGHT COLLECT.

EXCLUDED FROM THIS WARRANTY ARE LAMPS, FUSES AND SOCKETS.

THIS WARRANTY DOES NOT INCLUDE LABOR CHARGES INCURRED IN THE REMOVAL OF COMPONENT PARTS, SERVICE CALLS, OR DAMAGES RESULTING FROM IMPROPER INSTALLATION, IMPROPER OPERATION, OR PROBLEMS CAUSED BY ANY REPAIR, ALTERATION OR MODIFICATION OF THE SCOREBOARD NOT PERFORMED BY ELECTRO-MECH.

EQUIPMENT WHICH IS SUBJECTED TO ACCIDENT, NEGLIGENCE, ABUSE, MISUSE OR OTHER NATURAL DISASTERS, INCLUDING BUT NOT LIMITED TO FIRE, WIND, LIGHTNING, OR FLOOD, IS NOT COVERED BY THIS GUARANTEE.